

PFAN Catalogue



- Proximal Diameter - 15 mm
- Medial - Lateral Angle - 4°
- CCD - Angle - 130°

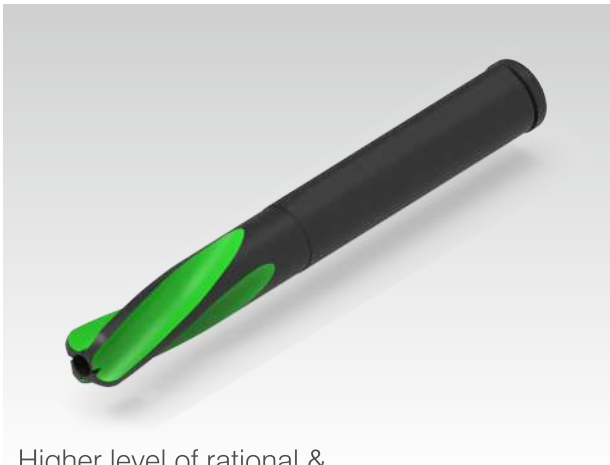
Proximal Femur Antirotation Nailing System

Indication

PFAN Short : Pertrochantric, Intertrochantric and High subtrochantric fractures.

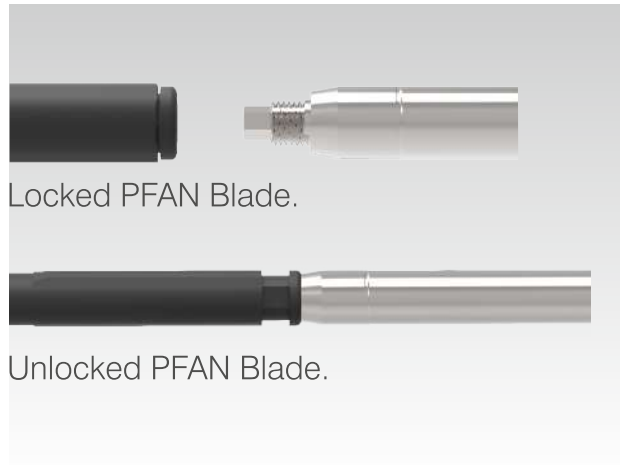
PFAN Long : Low and extended subtrochantric, Combination & Pathological fractures.

PFAN Blade



Higher level of rotational & angular stability achieved through PFAN blade.

Insertion of PFAN Blade



Locked PFAN Blade.

Unlocked PFAN Blade.

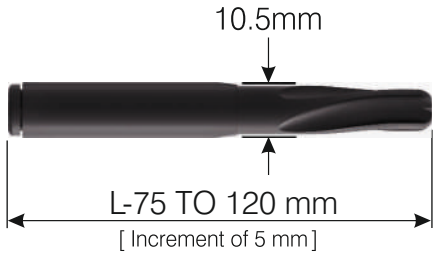
Proximal Locking Jig



Distal Locking Jig



Blade Nail



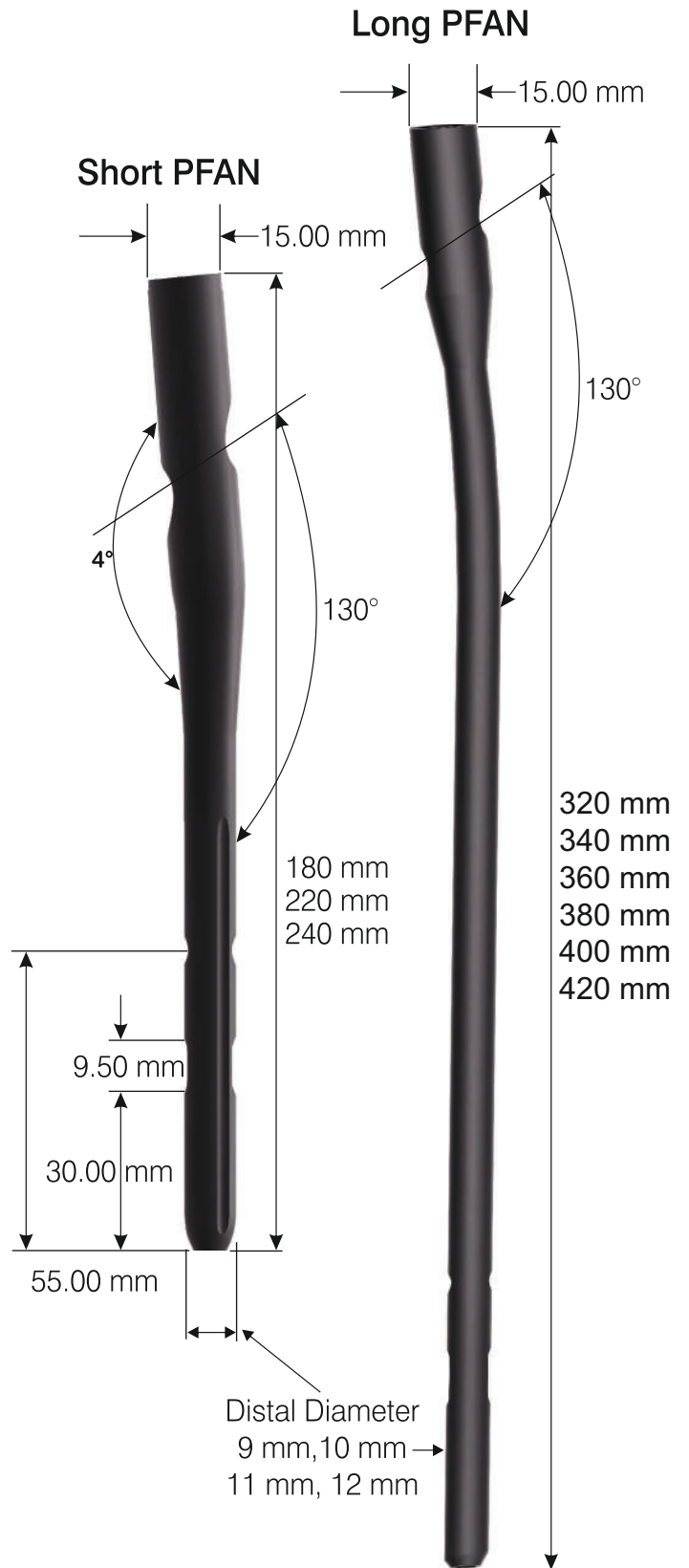
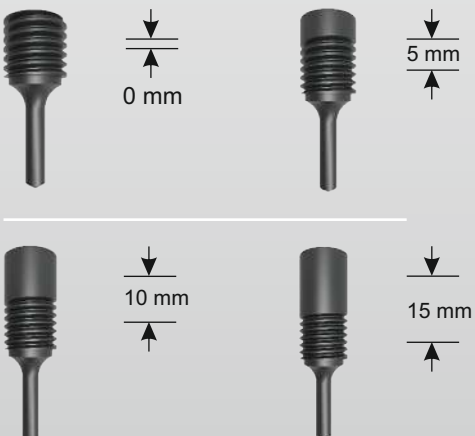
Locking Screw



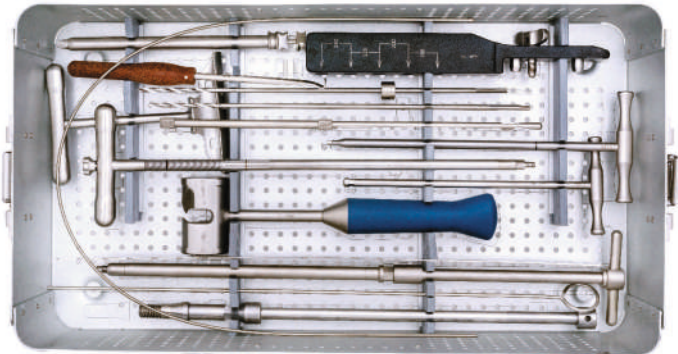
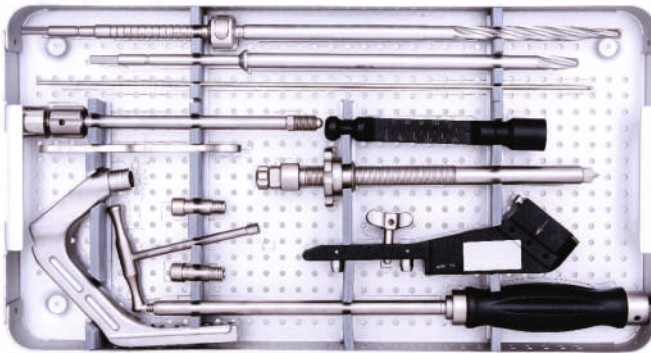
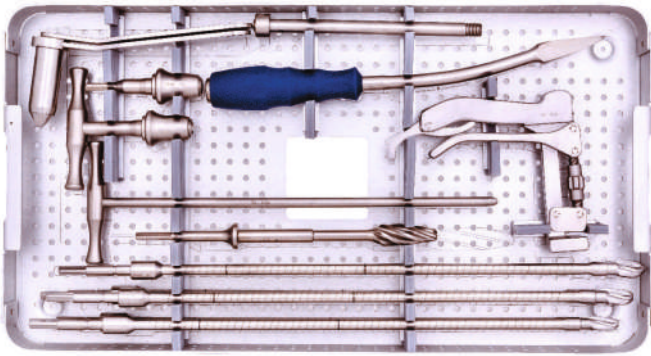
End Cap



End Cap II



Instrument Set



Miraclus Orthotech Pvt. Ltd.

Plant address :

Plot No. 1112, Phase-3, G.I.D.C., Vatva, Ahmedabad - 382 445.
Phone : +91 79 2583 1332, 2583 1333
Email : contact@miraclus.com | www.miraclus.com

Plant - II address:

Survey no 106, village vavdi, opp safex industries
Bh elite boarding school, vavdi, ta kheda-387550