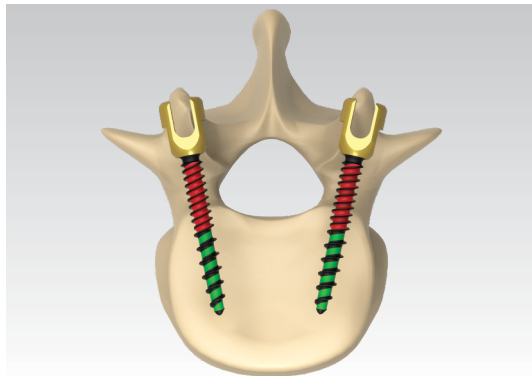
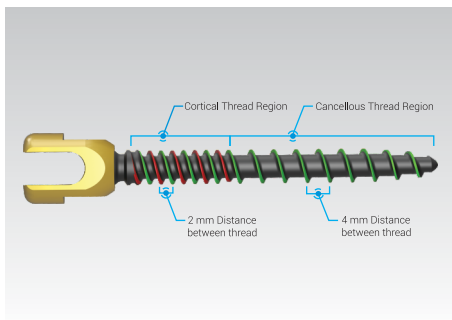


MS-II™ -Spinal Fixation System

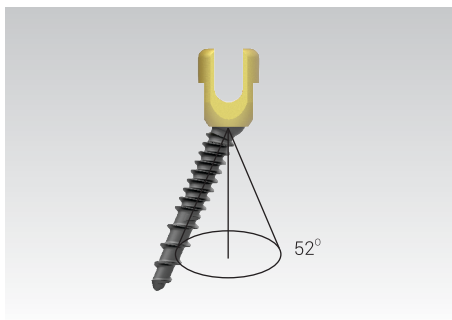


Size Chart :

Screw	Screw Length (mm)						
Diameter	25 mm	30 mm	35 mm	40 mm	45 mm	50 mm	55 mm
4.5 mm	•	•	•				
5.5 mm			•	•	•	•	
6.2 mm			•	•	•	•	•
7.0 mm			•	•	•	•	•



- Dual Lead enables Secure Anchorage in cortical and cancellous bone.
- Dual thread pattern ensures pull-out strength.



- 52° Angulation of poly screw.



- Colour coding implant for easy identification.

