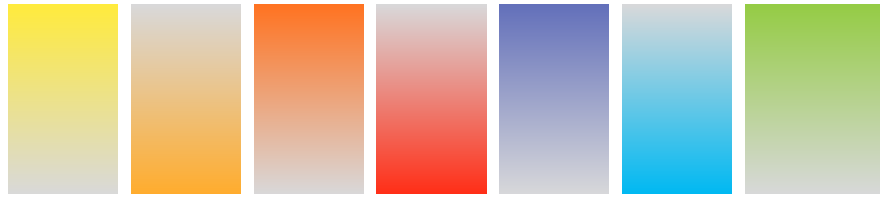
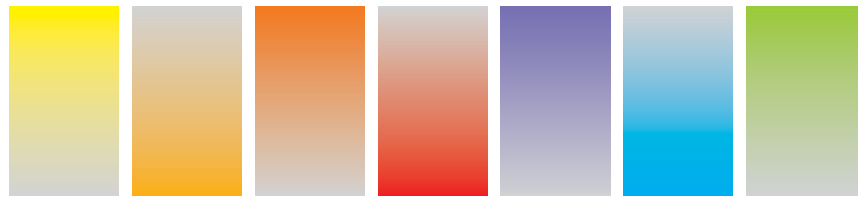


MS-I™ - Spinal Fixation System



MS-I™ -Spinal Fixation System



Mono and Poly Screw

Screw	Screw Length (mm)						
Diameter	25 mm	30 mm	35 mm	40 mm	45 mm	50 mm	55 mm
4.5 mm	•	•	•				
5.5 mm		•	•	•	•	•	
6.2 mm		•	•	•	•	•	•
7.0 mm		•	•	•	•	•	•



Poly Screw Angle 52°

Easily accommodates anatomical variations

- Greater Angulation make construct assembly simple.
- Greater flexibility in screw placement.



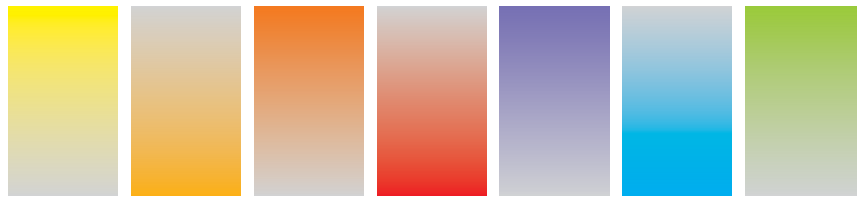
- Ø 5.7 mm Rod Compatible with laser marked contour lines.



- Adjustable Length as per desire construct.
- Adjust to the rod in Various orientation.



MS-I™ -Spinal Fixation System



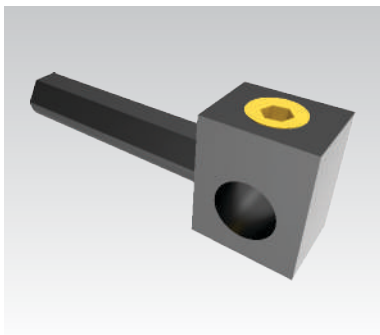
Reduction Screw

Screw	Screw Length (mm)					
Diameter	25 mm	30 mm	35 mm	40 mm	45 mm	50 mm
4.5 mm	•	•	•			
5.5 mm			•	•	•	•
6.2 mm			•	•	•	•
7.0 mm			•	•	•	



Iliac Screw

Screw	Screw Length (mm)						
Diameter	65 mm	70 mm	75 mm	80 mm	85 mm	90 mm	95 mm
5.5 mm	•	•	•	•	•	•	•
6.2 mm	•	•	•	•	•	•	•



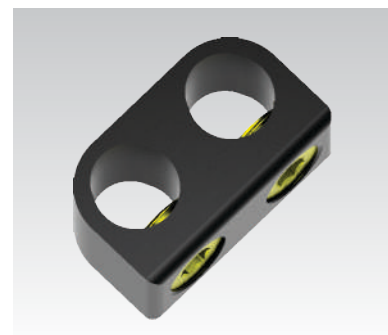
Lateral Connector

Length (mm)	15, 20, 25
-------------	------------



Inner :

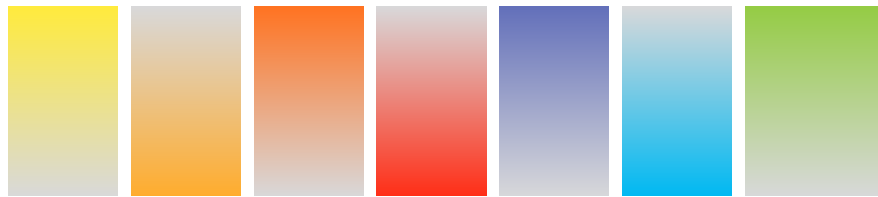
Butress thread inner helps reducing cross threading and head splay



Domino connector :

Size : Ø 5.7 - Ø 5.7mm

MS-I™ -Spinal Fixation System



Basic Instrument Set

Sr. No.	Description	Code
	Spine Instrument Kit	012
1	Screw Tip Breaker	01201
2	Rod Bending Device	01202
3	Screw Tap Ø 5.0 mm	01203
4	Screw Tap Ø 5.5 mm	01204
5	Cross-link Screwdriver SW 3.5 mm	01205
6	Screw Tap Ø 4.0 mm	01206
7	Screw Tap Ø 6.5 mm	01207
8	Probe Needle	01208
9	Mono-axial Screw holder	01209
10	Poly-axial Screw holder	01210
11	Template Rod Ø 5.5 mm	01211
12	Wrench for plug holding SW 4.5 mm	01212
13	Stick for plug holding SW 4.5/SW 3.5 mm	01213
14	Confrontation Wrench	01214
15	Extension Sleeve	01215
16	Rod Pusher	01216
17	Limiting Drill	01217
18	Rod holding Forceps	01218
19	Press bar Clamp	01219
20	Universal T-handle	01220
21	Axial Persuader	01221
22	Starter AWL	01222
23	Counter Torque Wrench	01223
24	French Rod Bender	01224
25	Ratchet handle	01225
26	Spatula straight	01226
27	Distracting Forceps	01227
28	Imaging needle with holder	01228
29	Compression device	01229
30	Rod maneuvering Pliers	01230

