

KINDER FORTE

PEDIATRIC PLATING SYSTEM



Supporting Tiny Steps, Shaping Strong Futures



System Overview

The Miraclus Pediatric Plating System is designed for the treatment of fractures — including pathological and impending pathological types — as well as for performing osteotomies in infants, children, adolescents, and patients of smaller stature. Available in 2.7 mm, 3.5 mm, and 5.0 mm systems, this versatile portfolio is thoughtfully designed to meet the diverse needs of growing bones.

Indications: Pediatric Hip Plate

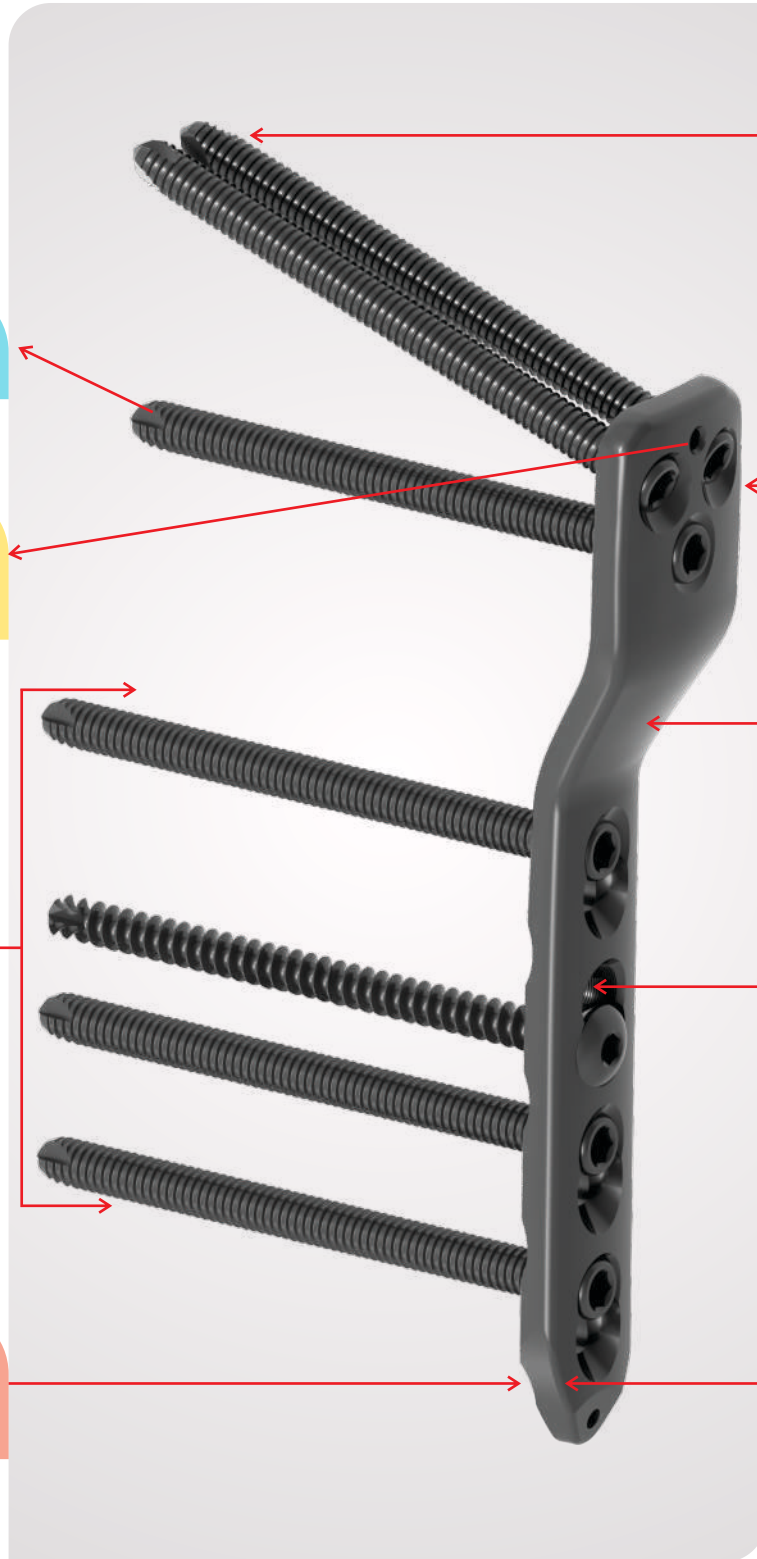
- Osteotomies involving varus, valgus, rotational correction, and/or limb shortening
- Femoral neck and pertrochanteric fractures
- Proximal metaphyseal and diaphyseal femoral fractures
- Proximal femur fractures
- Developmental dysplasia of the hip



Pediatric Reconstruction and Small Plates

- Used for fixation of long bone fractures and osteotomies
- Designed to be contoured and conform precisely to specific anatomical locations in smaller patients.

Features :



Femoral Neck Screws

Diverging Calcaneal Screw

K-wire aid initial plate placement, offering adaptability and precise correction

Locking construct and plate contouring minimize muscle disruption and ease soft-tissue interaction

The 3.5 mm and 5.0 mm Pediatric Hip Plates (110°) feature integrated offsets of 8 mm and 10 mm, respectively, enabling precise osteotomies with added medialization

Screws for distal stabilization

Combi holes with Dynamic Compression Unit (DCU) slots and locking options provide axial compression and stable fixation along the plate

The plate's minimal contact and undercut design support healthy blood flow

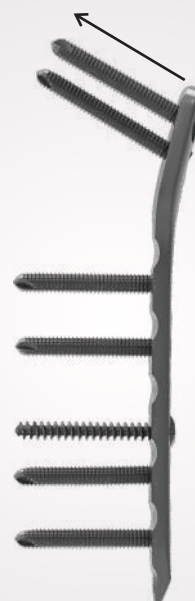
Multiple plate sizes, angles, and screw lengths allow customized fixation

Varus Osteotomy



110°

Trauma & Derotational Osteotomy



120°

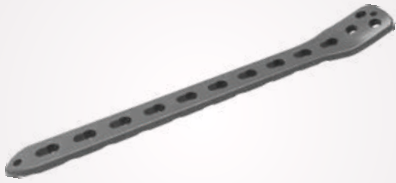
Valgus Osteotomy



150°

Portfolio

Pediatric Hip Plating System



ASLP-2.7 Pediatric Hip Plate 120°

PT373.03.120 – PT373.12.120
3 Holes – 12 Holes



ASLP-3.5 Pediatric Hip Plate 110°

PT374.03.110 – PT374.10.110
3 Holes – 10 Holes



ASLP-3.5 Pediatric Hip Plate 120°

PT374.03.120 – PT374.10.120
3 Holes – 10 Holes



ASLP-5.0 Pediatric Hip Plate 110°

PT375.03.110 – PT375.10.110
3 Holes – 10 Holes



ASLP-5.0 Pediatric Hip Plate 120°

PT375.03.120 – PT375.12.120
3 Holes – 12 Holes



ASLP-5.0 Pediatric Hip Plate 150°

PT375.03.150 – PT375.12.150
3 Holes – 12 Holes

Pediatric Condylar & T Adaption Plating System



ASLP-2.7 Pediatric Condylar Plate

PT483.03 – PT483.07
3 Holes – 7 Holes



ASLP-2.7 T Adaption Plate

PT484.03 – PT484.06
3 Holes – 6 Holes

Pediatric Reconstruction and Small Plating System



ASLP-2.7 Pediatric Reconstruction Plate

PT482.04 - PT482.08
4 Holes – 8 Holes

PT482.10
10 Holes



ASLP-2.7 Pediatric Small Plate

PT481.05 – PT481.10
5 Holes – 10 Holes

Screws



2.7mm Cortex Screw, Self-Tapping

Length: 12mm to 40mm (2mm Increment)
ST128.12 to ST128.40



2.7mm Locking Screw, Self-Tapping

Length: 12mm to 40mm (2mm Increment)
ST031.12 to ST031.40

Length 45mm & 50mm
ST031.45 & ST031.50



3.5mm Cortex Screw, Self Tapping

Length: 12mm to 60mm (2mm Increment)
ST028.12 to ST128.60

Length 45mm
ST028.45



3.5mm Locking Screw, Self Tapping

Length: 8mm to 50mm (2mm Increment)
ST032.08 to ST032.50

Length: 35mm & 45mm
ST032.35 & ST032.45

Length: 50mm to 100mm(5mm Increment)
ST032.50 to ST032.100



4.5mm Cortex Screw, Self Tapping

Length: 18mm to 70mm (2mm Increment)
ST029.18 to ST029.70

Length: 55mm & 65mm
ST029.55 & ST029.65



5.0mm Locking Screw, Self Tapping

Length: 18mm to 50mm (2mm Increment)
ST033.18 to ST033.50

Length: 55mm to 95mm (5mm Increment)
ST033.55 to ST033.95

Instrumentation:



Positioning Device for Guiding Block – 2.7/3.5 & 5.0mm Screw

Used to determine the optimal angle for K-wire placement.



Pediatric Plate Guiding Block for 2.7/3.5/5.0mm Screw

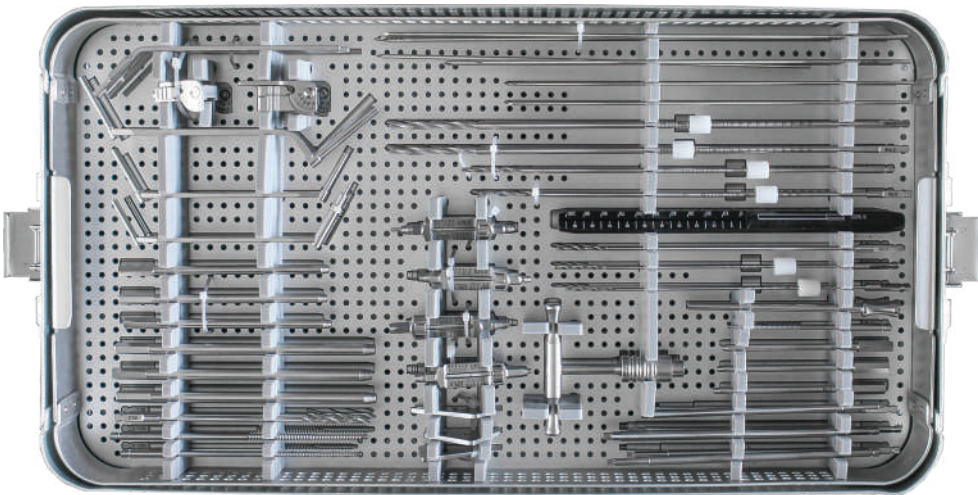
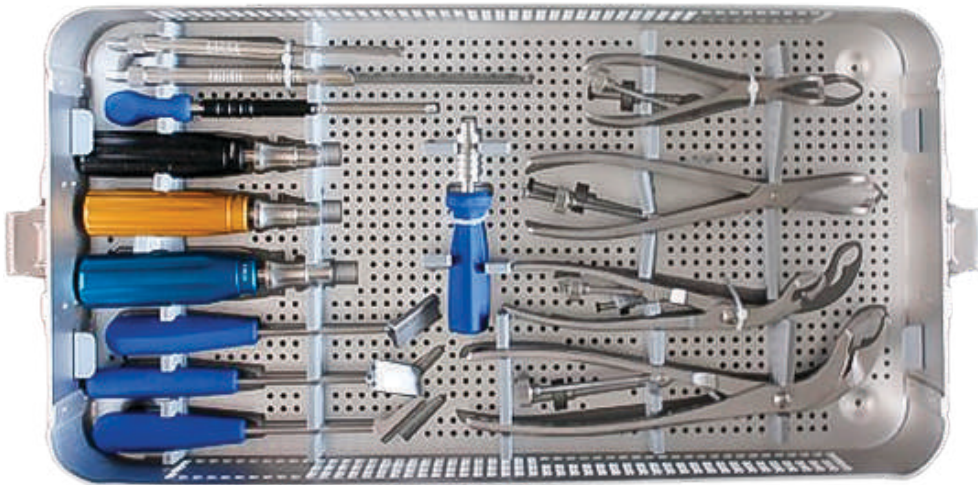
The Guiding Block is mounted onto the Positioning Device to form a precise guiding assembly.



Angle Measuring Device 2.7/3.5/5.0mm Screw

Drill sleeves are tightened onto the angle measuring device during osteotomy when aligned with the matching screw holes on the pediatric hip plate.

Instrumentation:



Miraclus Orthotech Pvt. Ltd.

Survey No. 106, Village Vavdi, Opp. Safex Industries,
Behind Elite Boarding School, Vavdi,
Ta. Kheda-387550, Gujarat, India

Miraclus[®]
Implanting LIFE