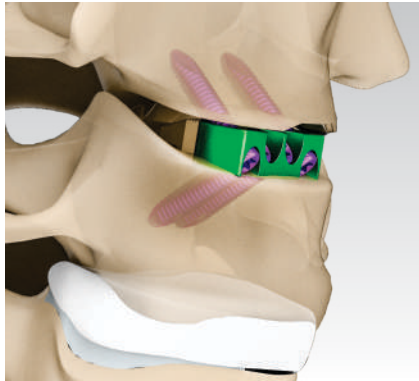
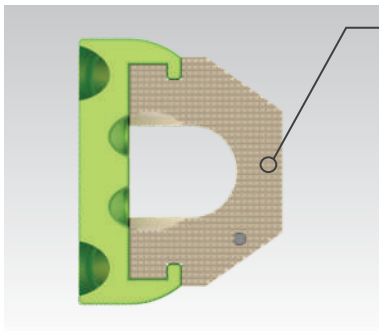


ACC™ -Stand Alone Implant System



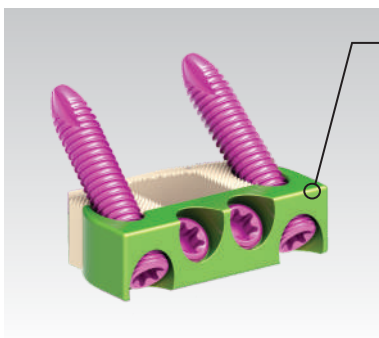
Sizes :

Description	Height (mm)
Stand Alone Cage - Peek & Titanium	5, 6, 7, 8, 9, 10, 11, 12
Stand Alone Cage - Titanium	5, 6, 7, 8, 9, 10, 11, 12
Stand Alone 3.0mm Screw	12, 14, 16



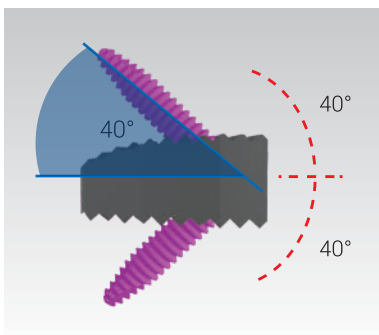
PEEK Interbody Spacer

- Radiopaque marker for posterior visualization during imaging.
- Spacer components is made of pure medical grade PEEK- (polyetheretherketone).
- Teeth on the superior and inferior implant surfaces provides primary stability.



Titanium Alloy Plate

- Provides a secure and rigid screw locking interface.
- The Innovative interface between plate and spacer separates stresses of the plate and spacer.

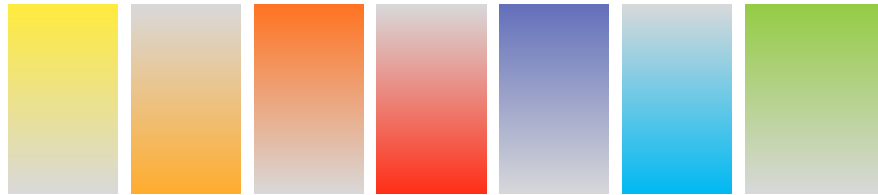


Locking Screw

- 3.0 mm Titanium Locking Screw form a bone wedge with a $40^{\circ} \pm 5^{\circ}$ cranial/caudal angle and 2.5° medial/lateral angle.
- Dual lead, Self-Tapping Screw improves thread purchase.



ACC™ -Stand Alone Implant System



Basic Instrument Set

Sr. No.	Description	Code
1	Trial spacer 5 mm	12901
2	Trial spacer 6 mm	12902
3	Trial spacer 7 mm	12903
4	Trial spacer 8 mm	12904
5	Trial spacer 9 mm	12905
6	Trial spacer 10 mm	12906
7	Trial spacer 11 mm	12907
8	Trial spacer 12 mm	12908
9	2.0 mm drill bit 12 mm stop	12909
10	2.0 mm drill bit 14 mm stop	12910
11	2.0 mm drill bit 16 mm stop	12911
12	Star screw driver shaft	12912
13	Handle with quick coupling	12913
14	Drill guide with handle	12914
15	Drill guide with threaded tip	12915
16	Torque limiting with quick coupling , 1.2 Nm	12916
17	Screw holding sleeve	12917
18	Mallet	12918
19	Awl with sleeve	12919
20	Angled awl	12920
21	Implant holder	12921
22	Angled screw driver with sleeve	12922
23	Self retaining sleeve	12923
24	Cancellous bone impactor	12924
25	Impactor, Flat	12925
26	Impactor with ball tip	12926
27	Aiming device	12927
28	Packing block	12928
29	Implant box	-

Instrument set

